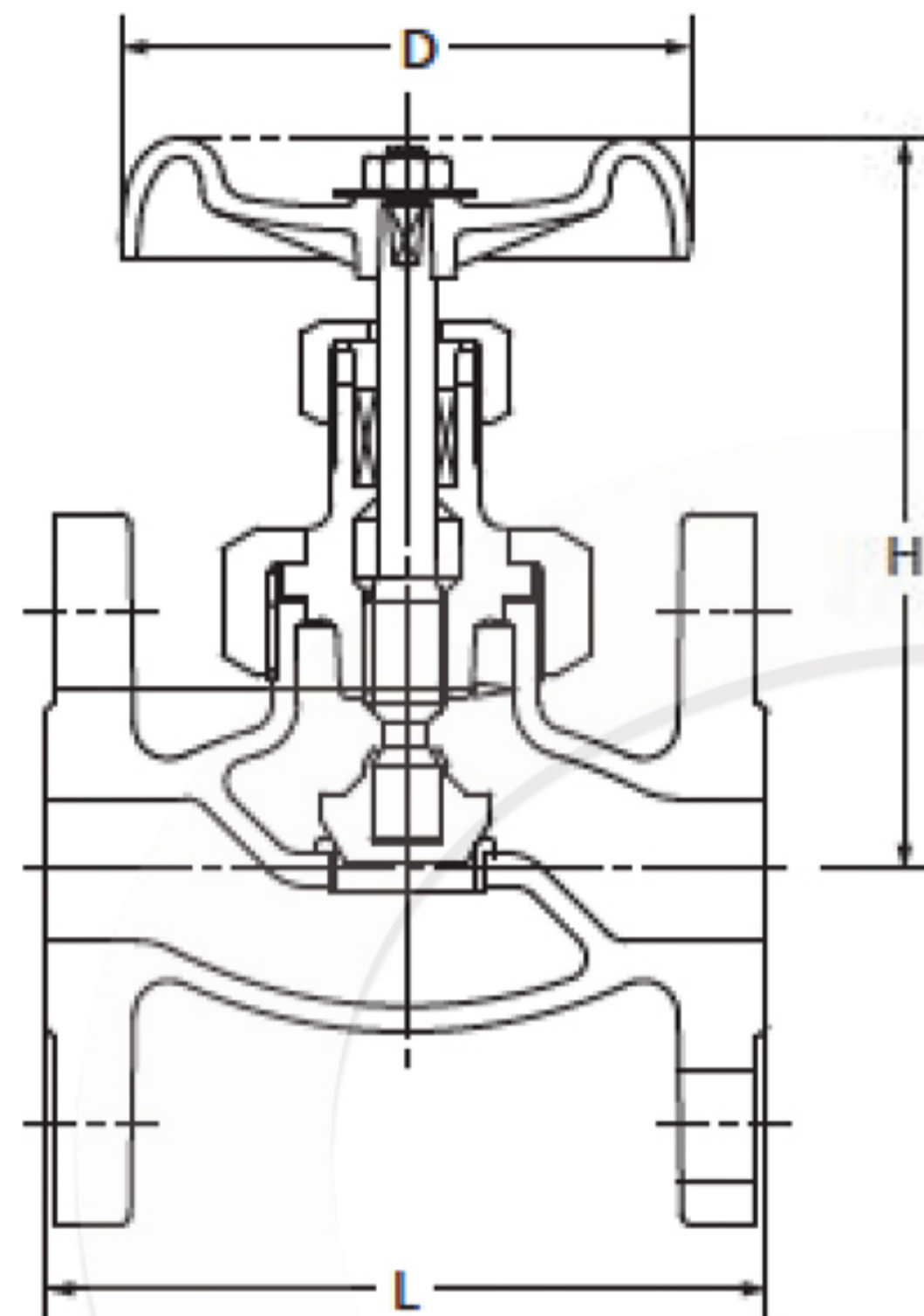


# Class 150 Globe Valve

**150SPB**  
U.B.I.S.  
RF-flanged



Face to face : ASME B16.10  
End connection : ASME B16.5

−5°C ~ +38°C W.O.G. .... 1.73MPa  
149°C W.O.G. .... 1.48MPa  
260°C W.O.G. .... 1.18MPa  
343°C W.O.G. .... 0.86MPa

- Use for lubricating or hydraulic oil is acceptable.
- Employment of copper gasket prohibits use of this valve for ammonia or amine chemicals.

### Materials

Parts	JIS material
Body	FCD-5
Bonnet	FCD-5
Stem	SUS420J2
Disc	SUS403
Gland	SUS420J2 (1 1/4" : SUS403)
Gland packing	Non-asbestos Packing
Handwheel	FCD450
Gasket	C1100P-0
Body seat ring	SUS403

### Dimensions

Size	mm						
	mm	15	20	25	32	40	50
	inch	1/2	3/4	1	1 1/4	1 1/2	2
L		108	117	127	140	165	203
H (open)		122	128	146	165	179	198
D		80	80	100	115	115	135

NOTE : For flange dimensions, refer to Page 45.